



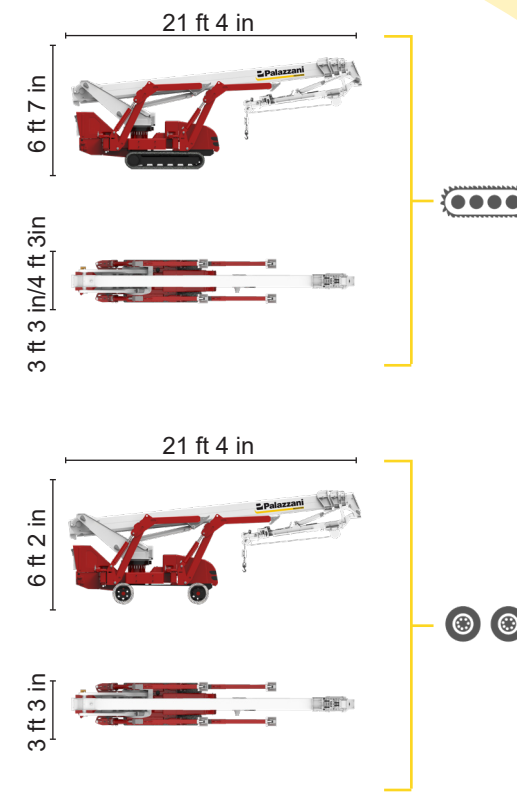
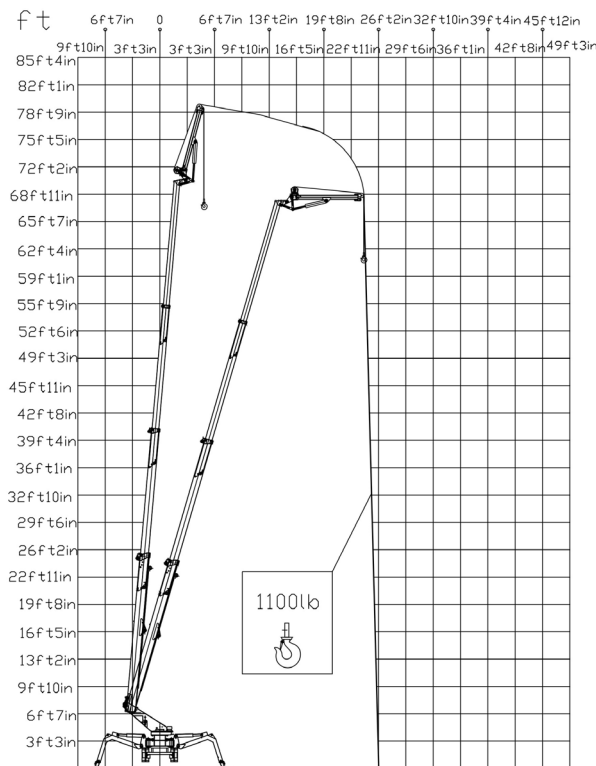
**BI-ENERGY**



Diesel  
14,7 kW



Single-phase  
Electric motor  
110VAC - 2,2 kW



TSJ 82/C		77 ft 1 in	27 ft 11 in	1100 lb	660°	5 ft 11 in x 2 ft 4 in	90°+80°	8 ft 7 in x 15 ft 11 in	32%	36%	0,62 mph	8708 lb	5845 lb	34,3 psf	70,6 psf
TSJ 82/W		77 ft 1 in	27 ft 11 in	1100 lb	660°	5 ft 11 in x 2 ft 4 in	90°+80°	8 ft 7 in x 15 ft 11 in	32%	19%	0,62 mph	8708 lb	5845 lb	34,3 psf	70,6 psf

Available power options:

- BI-ENERGY** (DIESEL+AC)
- ECO** (AC+BATTERY)
- HYBRID** (DIESEL+AC+BATTERY)

Characteristics and technical data are informative only and subjected to change without notice.

Palazzani Industrie S.p.A.  
Via del Pavione, 4 - 25050 - Paderno F.C. (BS) - Italy  
Tel. (+39) 0306857073  
info@palazzani.it  
www.palazzani.it



QUALITY SYSTEM  
CERTIFIED BY BUREAU VERITAS  
= ISO 9001=



NC 808 A 22



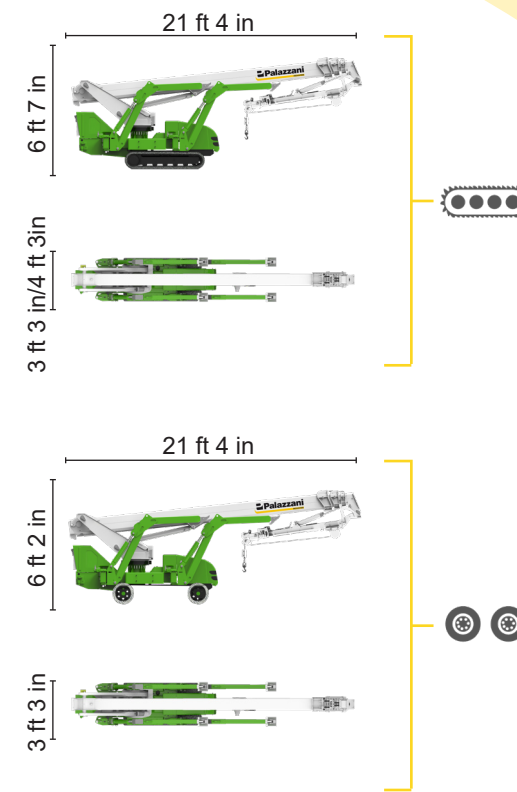
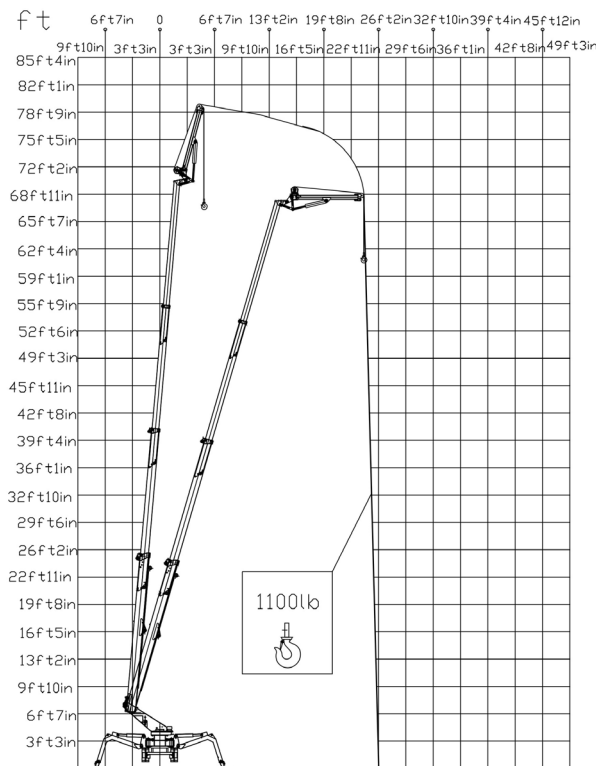
**ECO**

---

Single-phase Electric motor

---

Lithium iron phosphate battery LiFePO4



TSJ 82/C		77 ft 1 in	27 ft 11 in	1100 lb	660°	5 ft 11 in x 2 ft 4 in	90°+80°	8 ft 5 in x 15 ft 7 in	32%	36%	0,62 mph	8708 lb	5845 lb	34,3 psf	70,6 psf
TSJ 82/W		77 ft 1 in	27 ft 11 in	1100 lb	660°	5 ft 11 in x 2 ft 4 in	90°+80°	8 ft 5 in x 15 ft 7 in	32%	19%	0,62 mph	8708 lb	5845 lb	34,3 psf	70,6 psf

Available power options:

- BI-ENERGY** (DIESEL+AC)
- ECO** (AC+BATTERY)
- HYBRID** (DIESEL+AC+BATTERY)

Characteristics and technical data are informative only and subjected to change without notice.

Palazzani Industrie S.p.A.  
Via del Pavione, 4 - 25050 - Paderno F.C. (BS) - Italy  
Tel. (+39) 0306857073  
info@palazzani.it  
www.palazzani.it




QUALITY SYSTEM  
CERTIFIED BY BUREAU VERITAS  
= ISO 9001=





NC 809 A 22

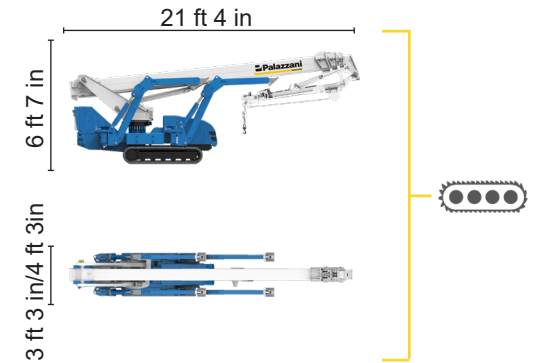
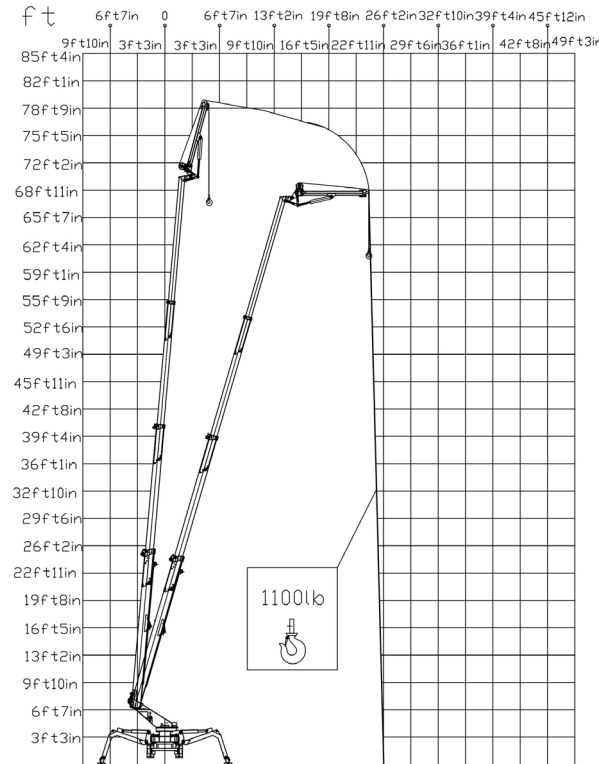


**HYBRID<sup>2</sup>**

 Diesel  
14,7 kW




 Single-phase  
Electric motor  
110VAC - 5,5kW

 Lithium iron  
phosphate battery  
LiFePO4  
48V - 210Ah



TSJ 82/C  77 ft 1 in 27 ft 11 in 1100 lb 660° 5 ft 11 in x 2 ft 4 in 90°+80° 8 ft 7 in x 15 ft 11 in 32% 36% 0,75 mph 9557 lb 5845 lb 37,6 psf 77,5 psf

Available power options:

-  **BI-ENERGY** (DIESEL+AC)
-  **ECO** (AC+BATTERY)
-  **HYBRID<sup>2</sup>** (DIESEL+AC+BATTERY)

Characteristics and technical data are informative only and subjected to change without notice.

Palazzani Industrie S.p.A.  
Via del Pavione, 4 - 25050 - Paderno F.C. (BS) - Italy  
Tel. (+39) 0306857073  
info@palazzani.it  
www.palazzani.it



QUALITY SYSTEM  
CERTIFIED BY BUREAU VERITAS  
= ISO 9001=

NC 811 A 22