

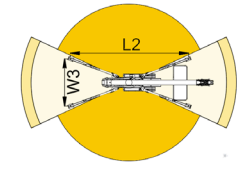
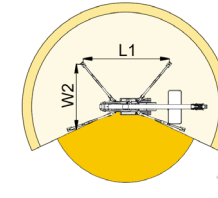
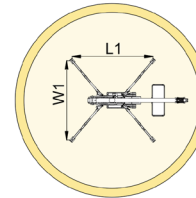
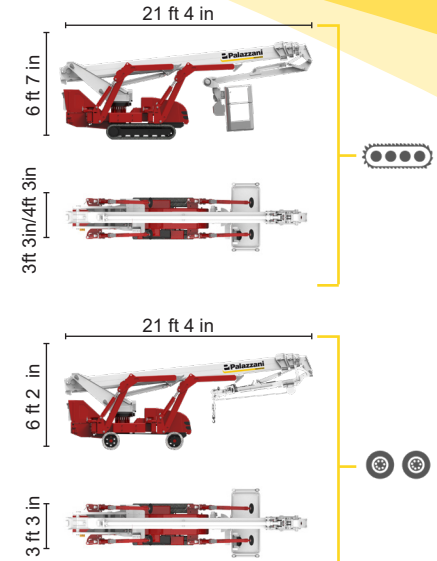
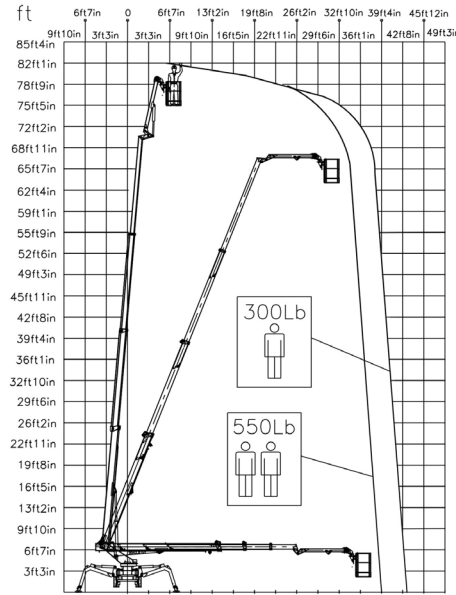




**BI-ENERGY**



 Diesel  
14,7 kW

 Single-phase  
Electric motor  
110VAC - 2,2 kW



39 ft 4 in	42 ft 8 in	24 ft 7 in	L1	L2	W1	W2	W3
550 lb	264 lb	550/264 lb	16 ft 4 in	21 ft 6 in	15 ft 11 in	12 ft 3 in	8 ft 7 in



TSJ 82/C		82 ft	42 ft 8 in	550 lb	660°	5 ft 11 in x 2 ft 4 in	90°+80°	8 ft 7 inX15 ft 11 in	32%	36%	0,62 mph	8708 lb	5845 lb	34,3 psf	70,6 psf
TSJ 82/W		82 ft	42 ft 8 in	550 lb	660°	5 ft 11 in x 2 ft 4 in	90°+80°	8 ft 7 inX15 ft 11 in	32%	19%	0,62 mph	8708 lb	5845 lb	34,3 psf	70,6 psf

Available power options:

**BI-ENERGY** (DIESEL+AC)

**ECO** (AC+BATTERY)

**HYBRID** (DIESEL+AC+BATTERY)

Characteristics and technical data are informative only and subjected to change without notice.

Palazzani Industrie S.p.A.

Via del Pavione, 4 - 25050 - Paderno F.C. (BS) - Italy

Tel. (+39) 0306857073

info@palazzani.it

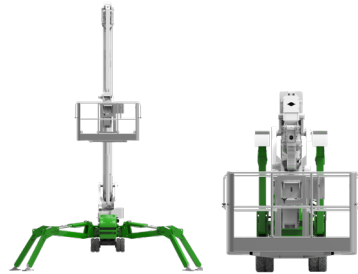
www.palazzani.it



QUALITY SYSTEM  
CERTIFIED BY BUREAU VERITAS  
= ISO 9001 =



NC 807 A 22



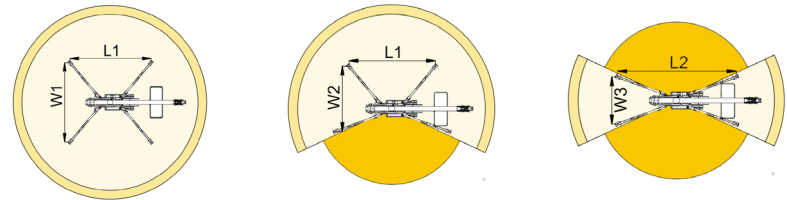
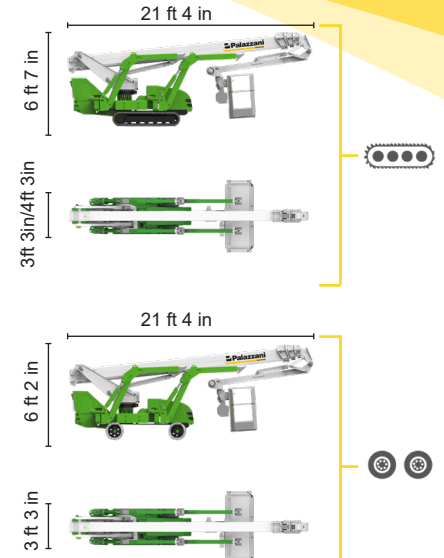
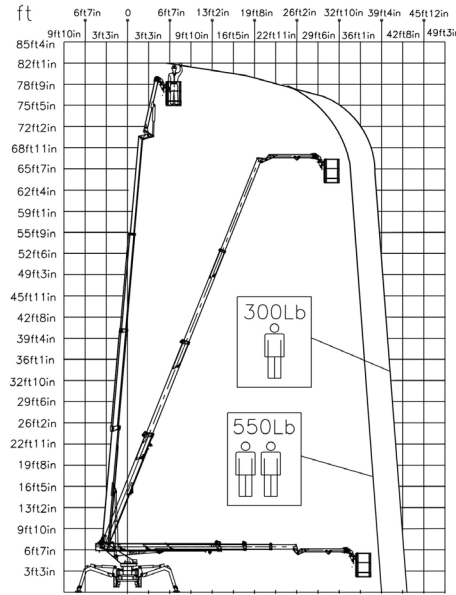
**ECO**

---

Single-phase Electric motor

---

Lithium iron phosphate battery LiFePO4



39 ft 4 in	42 ft 8 in	24 ft 7 in	L1	L2	W1	W2	W3
550 lb	264 lb	550/264 lb	16 ft 4 in	21 ft 6 in	15 ft 11 in	12 ft 3 in	8 ft 7 in



TSJ 82/C		82 ft	42 ft 8 in	550 lb	660°	5 ft 11 in x 2 ft 4 in	90°+80°	8 ft 7 inX15 ft 11 in	32%	36%	0,62 mph	8708 lb	5845 lb	34,3 psf	70,6 psf
TSJ 82/W		82 ft	42 ft 8 in	550 lb	660°	5 ft 11 in x 2 ft 4 in	90°+80°	8 ft 7 inX15 ft 11 in	32%	19%	0,62 mph	8708 lb	5845 lb	34,3 psf	70,6 psf

Available power options:

- BI-ENERGY** (DIESEL+AC)
- ECO** (AC+BATTERY)
- HYBRID** (DIESEL+AC+BATTERY)

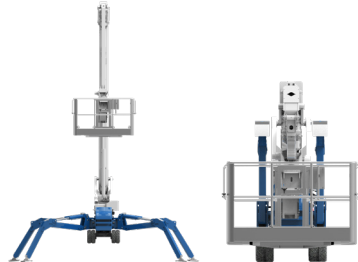
Characteristics and technical data are informative only and subjected to change without notice.

Palazzani Industrie S.p.A.  
Via del Pavione, 4 - 25050 - Paderno F.C. (BS) - Italy  
Tel. (+39) 0306857073  
info@palazzani.it  
www.palazzani.it



QUALITY SYSTEM  
CERTIFIED BY BUREAU VERITAS  
= ISO 9001 =

NC 809 A 22

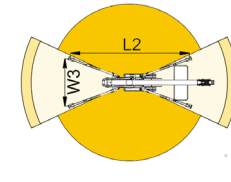
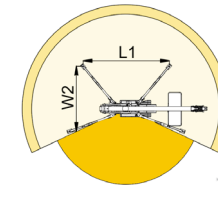
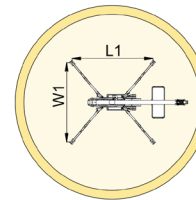
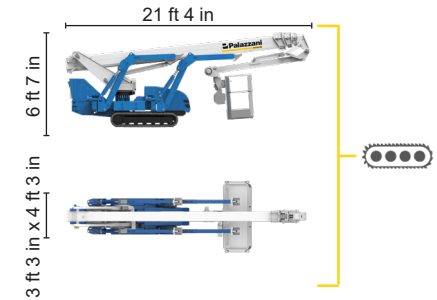
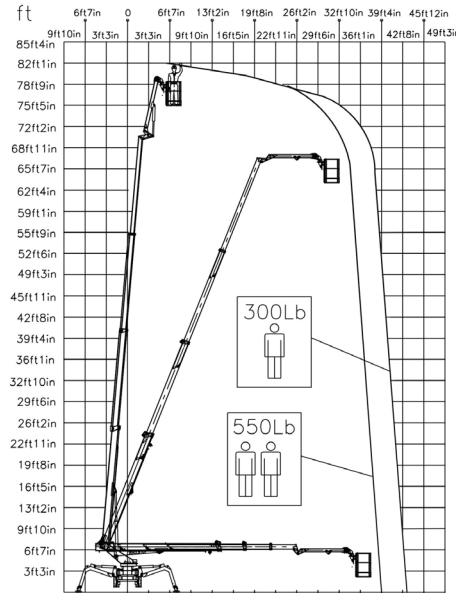


**HYBRID<sup>2</sup>**

Diesel  
14,7 kW

Single-phase  
Electric motor  
110VAC - 5,5kW

Lithium iron  
phosphate battery  
LiFePO4  
48V - 210Ah



39 ft 4 in	42 ft 8 in	24 ft 7 in	L1	L2	W1	W2	W3
550 lb	264 lb	550/264 lb	16 ft 4 in	21 ft 6 in	15 ft 11 in	12 ft 3 in	8 ft 7 in

TSJ 82/C



82 ft

42 ft 8 in

550 lb

660° 5 ft 11 in x 2 ft 4 in

90°+80° 8 ft 7inX15 ft 11in

32%

36%

0,75 mph

9557 lb

5845 lb

37,6 psf

77,5 psf

Available power options:

**BI-ENERGY** (DIESEL+AC)

**ECO** (AC+BATTERY)

**HYBRID<sup>2</sup>** (DIESEL+AC+BATTERY)

Characteristics and technical data are informative only and subjected to change without notice.

Palazzani Industrie S.p.A.

Via del Pavione, 4 - 25050 - Paderno F.C. (BS) - Italy

Tel. (+39) 0306857073

info@palazzani.it

www.palazzani.it



QUALITY SYSTEM  
CERTIFIED BY BUREAU VERITAS  
= ISO 9001 =



NC 810 A 22