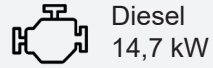




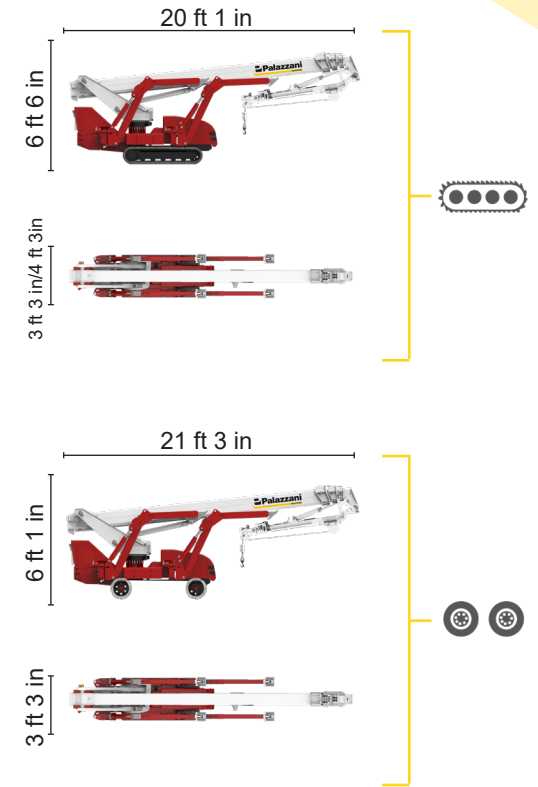
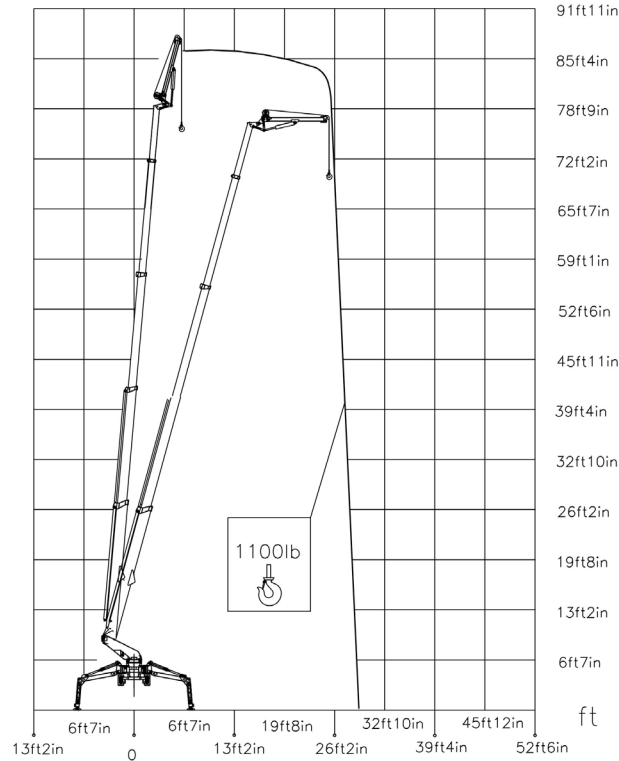
BI-ENERGY



Diesel
14,7 kW



Single-phase
Electric motor
110VAC - 2,2 kW



Model	Track/Wheel	Height	Reach	Load	Rotation	Stability	Extension	Stability	Stability	Stability	Stability	Stability	Stability	Stability	
TSJ 88/C		83 ft 8 in	29 ft 6 in	1100 lb	660°	5 ft 11in x 2 ft 4 in	90°+80°	9 ft 5 in x 15 ft 9 in	44%	42%	0,75 mph	9822 lb	6519 lb	40,5 psf	86,9 psf
TSJ 88/W		83 ft 8 in	29 ft 6 in	1100 lb	660°	5 ft 11in x 2 ft 4 in	90°+80°	9 ft 5 in x 15 ft 9 in	44%	29%	1,06 mph	10 362 lb	6519 lb	41,6 psf	84,4 psf

Available power options:

- BI-ENERGY** (DIESEL+AC)
- ECO** (AC+BATTERY)
- HYBRID** (DIESEL+AC+BATTERY)

Characteristics and technical data are informative only and subjected to change without notice.

Palazzani Industrie S.p.A.
Via del Pavione, 4 - 25050 - Paderno F.C. (BS) - Italy
Tel. (+39) 0306857073
info@palazzani.it
www.palazzani.it




QUALITY SYSTEM
CERTIFIED BY BUREAU VERITAS
= ISO 9001=




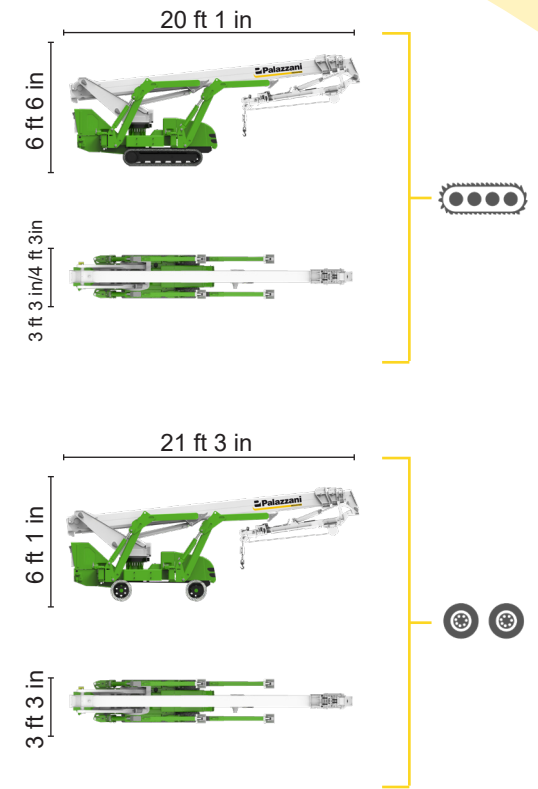
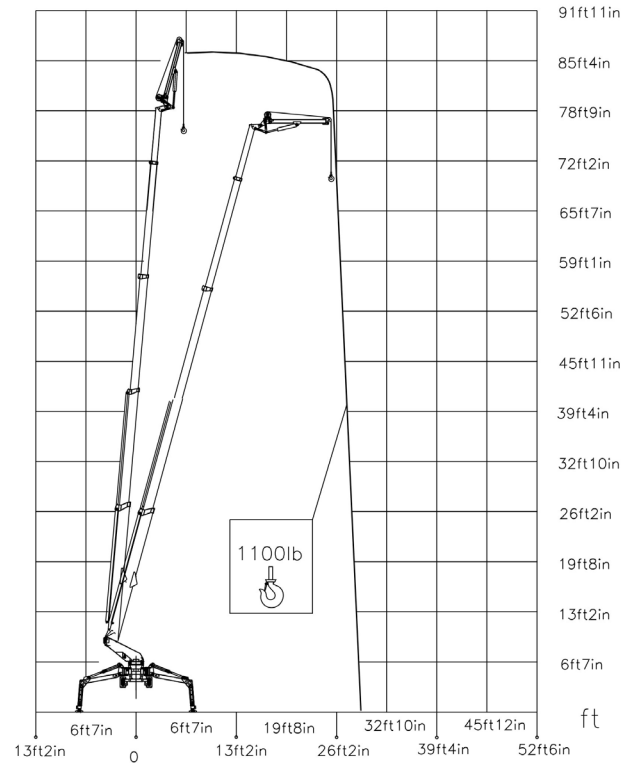
NC 823 A 22





ECO

 Single-phase Electric motor

 Lithium iron phosphate battery LiFePO4



TSJ 88/C		83 ft 8 in	29 ft 6 in	1100 lb	660°	5 ft 11in x 2 ft 4 in	90°+80°	9 ft 5 in x 15 ft 9 in	44%	42%	0,75 mph	9822 lb	6519 lb	40,5 psf	86,9 psf
TSJ 88/W		83 ft 8 in	29 ft 6 in	1100 lb	660°	5 ft 11in x 2 ft 4 in	90°+80°	9 ft 5 in x 15 ft 9 in	44%	29%	0,75 mph	10 362 lb	6519 lb	41,6 psf	84,4 psf

Available power options:

- BI-ENERGY** (DIESEL+AC)
- ECO** (AC+BATTERY)
- HYBRID** (DIESEL+AC+BATTERY)

Characteristics and technical data are informative only and subjected to change without notice.

Palazzani Industrie S.p.A.
Via del Pavione, 4 - 25050 - Paderno F.C. (BS) - Italy
Tel. (+39) 0306857073
info@palazzani.it
www.palazzani.it





QUALITY SYSTEM
CERTIFIED BY BUREAU VERITAS
= ISO 9001=


NC 825 A 22

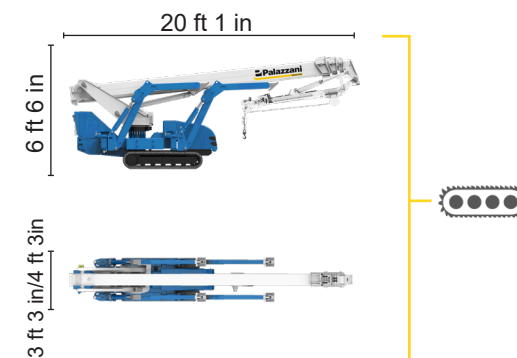
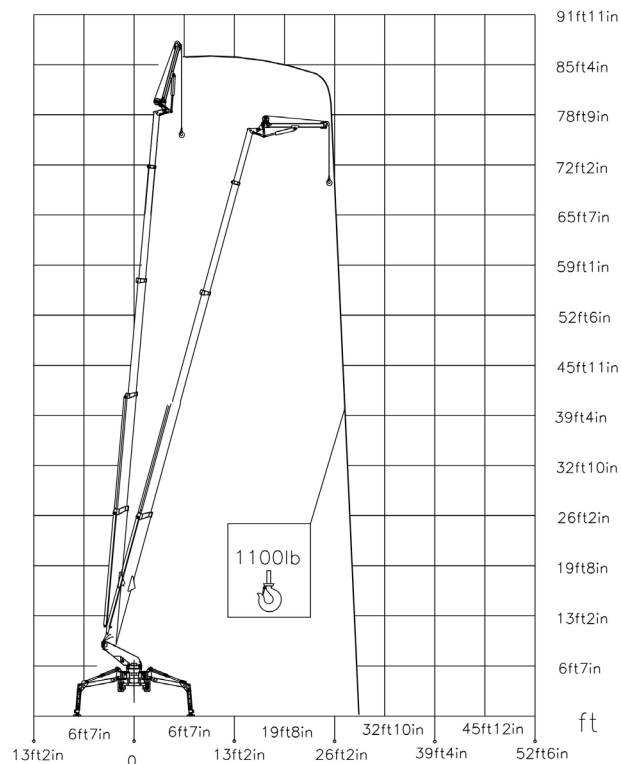


HYBRID²

 Diesel
14,7 kW




 Single-phase
Electric motor
110VAC - 5,5kW

 Lithium iron
phosphate battery
LiFePO4
48V - 210Ah



TSJ 88/C  83 ft 8 in 29 ft 6 in 1100 lb 660° 5 ft 11in x 2 ft 4 in 90°+80° 9 ft 5 in x 15 ft 9 in 44% 42% 0,75 mph 10913 lb 6519 lb 43,9 psf 93,8 psf

Available power options:

-  **BI-ENERGY** (DIESEL+AC)
-  **ECO** (AC+BATTERY)
-  **HYBRID²** (DIESEL+AC+BATTERY)

Characteristics and technical data are informative only and subjected to change without notice.

Palazzani Industrie S.p.A.
Via del Pavione, 4 - 25050 - Paderno F.C. (BS) - Italy
Tel. (+39) 0306857073
info@palazzani.it
www.palazzani.it



QUALITY SYSTEM
CERTIFIED BY BUREAU VERITAS
= ISO 9001=



NC 827 A 22